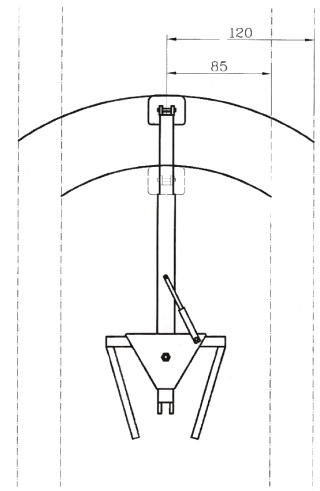


The Olmi Vine Auger / Digger leaves dirt intact while digging. The unit is attached via 3 point hitch and is PTO driven. The auger has a reversing gear and hydraulic control. It comes with a vine grubber tool. The bit is 4" to 18". This unit with a 45-degree angle in any direction is capable of performing the task on multiple terrain types including a sloped or hillside vineyard.



Working Arm Lateral Stroke: 34" Central Position Stroke: 47" Total Length: 83" Total Width: 36"



MODEL
 Mechanical Drill Tool - T001
 Vine Grubber Tool = T0007

HP Range
 35 - 85

Weight
 400